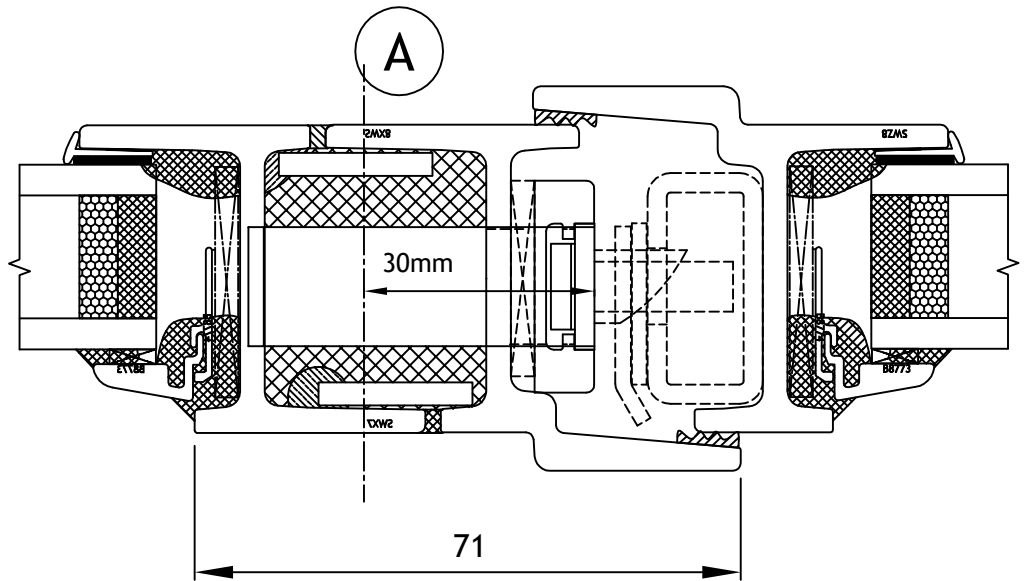
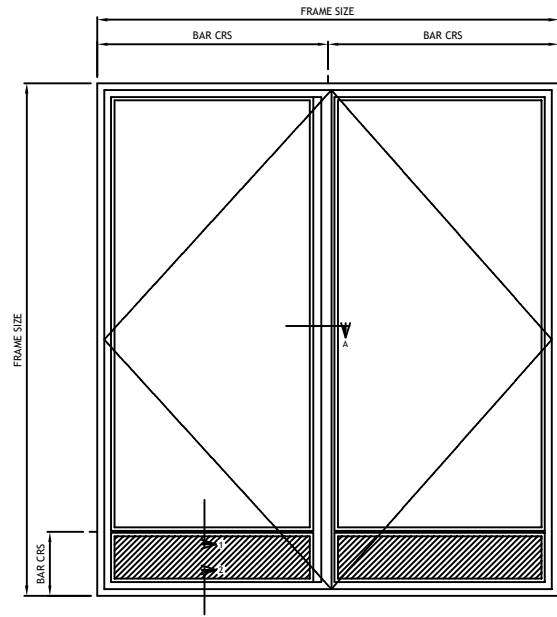
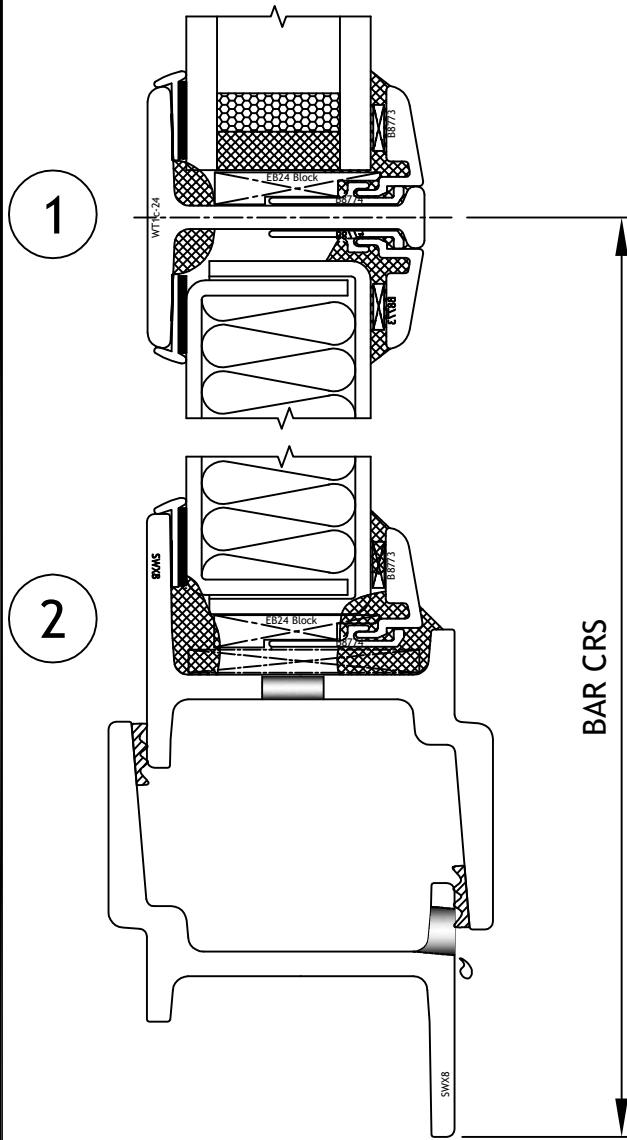


# EB24 DOOR WILKA LOCK & KICKING PANEL DETAIL



	Copyright Reserved 2013. CLEMENT WINDOWS LTD This product is protected by the provisions of the Copyright, Design & Patents Act 1988		DRAWING TITLE: <b>WILKA Lock &amp; Kicking Panel</b>	DRAWING No. <b>EB12</b>
	EMAIL: info@clementwg.co.uk WEBSITE: www.clementwindows.co.uk		CLIENT:	REVISION:
	DATE: 08/03/17 SCALE @ A4: 1:1 & 1:30			